

# Network Video Recorder Quick Start Guide

## Table of Contents

1	Hardware Installation and Connection.....	1
1.1	Check Unpacked NVR.....	1
1.2	About Front Panel and Rear Panel.....	1
1.3	After Remove the Chassis.....	1
1.4	HDD Installation.....	1
1.4.1	PhoenixPlus-08-M/PhoenixPlus-08.....	1
1.4.2	PhoenixPlus-16.....	2
1.5	Front Panel.....	3
1.5.1	PhoenixPlus-08-M.....	3
1.5.2	PhoenixPlus-08.....	3
1.5.3	PhoenixPlus-16.....	4
1.6	Rear Panel.....	4
1.6.1	PhoenixPlus-08-M.....	4
1.6.2	PhoenixPlus-08.....	5
1.6.3	PhoenixPlus-16.....	6
2	Connection Sample.....	8
3	GUI Operation.....	9
3.1	Boot up.....	9
3.2	Login.....	9
3.3	Smart Add.....	10
3.4	Remote Device.....	11
3.5	Schedule.....	12
3.6	Realtime Playback.....	15
4	Web Operation.....	16
4.1	Network Connection.....	16
4.2	Login.....	17

4.3	Main Window.....	17
4.3.1	LAN Login.....	17
4.3.2	WAN Login .....	18

## **Welcome**

Thank you for purchasing our network video recorder!

This quick start guide is designed to be a reference tool for your system.

Please open the accessory bag to check the items one by one in accordance with the list below.

Contact your local retailer ASAP if something is missing or damaged in the bag.

# Important Safeguards and Warnings

## 1 . Electrical safety

All installation and operation here should conform to your local electrical safety codes.

The product must be grounded to reduce the risk of electric shock.

We assume no liability or responsibility for all the fires or electrical shock caused by improper handling or installation.

## 2 . Transportation security

Heavy stress, violent vibration or water splash are not allowed during transportation, storage and installation.

## 3 . Installation

Keep upwards. Handle with care.

Do not apply power to the NVR before completing installation.

Do not place objects on the NVR.

## 4 . Qualified engineers needed

All the examination and repair work should be done by the qualified service engineers.

We are not liable for any problems caused by unauthorized modifications or attempted repair.

## 5 . Environment

The NVR should be installed in a cool, dry place away from direct sunlight, inflammable, explosive substances and etc.

This series product shall be transported, storage and used in the specified environments.

Environment which needs to comply with the following conditions:

- The function of the ITE being investigated to IEC 60950-1 is considered not likely to require connection to an Ethernet network with outside plant routing, including campus environment.
- The installation instructions clearly state that the ITE is to be connected only to PoE networks without routing to the outside plant.

## 6. Accessories

Be sure to use all the accessories recommended by manufacturer.

Before installation, please open the package and check all the components are included.

Contact your local retailer ASAP if something is broken in your package.

## 7. Lithium battery

Improper battery use may result in fire, explosion, or personal injury!

When replace the battery, please make sure you are using the same model!

### **CAUTION**

**RISK OF EXPLOSION IF BATTERY IS REPLACED BY AN INCORRECT TYPE.  
DISPOSE OF USED BATTERIES ACCORDING TO THE INSTRUCTIONS.**

**Before your operation please read the following instructions carefully.**

- **Installation environment**

- ✧ Keep away from extreme hot places and sources;
- ✧ Avoid direct sunlight;
- ✧ Keep away from extreme humid places;
- ✧ Avoid violent vibration;
- ✧ Do not put other devices on the top of the NVR;
- ✧ Be installed in well ventilated place; do not block the vent.

- **Accessories**

Check the accessories after opening the box:

- **Please refer to the packing list in the box \***

# 1 Hardware Installation and Connection

**Note:** All the installation and operations here should conform to your local electric safety rules.

## 1.1 Check Unpacked NVR

When you receive the NVR from the forwarding agent, please check whether there is any visible damage. The protective materials used for the package of the NVR can protect most accidental clashes during transportation. Then you can open the box to check the accessories.

Please check the items in accordance with the list (Remote control is optional). Finally you can remove the protective film of the NVR.

## 1.2 About Front Panel and Rear Panel

For detailed information of the function keys in the front panel and the ports in the rear panel, please refer to the *User's Manual* included in the resource CD.

The model number in the stick on the bottom of NVR is very important; please check according to your purchase order.

The label in the rear panel is very important too. Usually we need you to represent the serial number when we provide the service after sales.

## 1.3 After Remove the Chassis

Please check the data cable, power cable, COM cable and main board cable connection is secure or not.

## 1.4 HDD Installation

**Important:**

**Please turn off the power before you replace the HDD.**

**The pictures listed below for reference only.**

For the first time install, please be aware that whether the HDDs have been installed. You can refer to the Appendix for HDD space information and recommended HDD brand.

Please use HDD of 7200rpm or higher. **Usually we do not recommend the PC HDD.**

Please follow the instructions below to install hard disk.

**The following figure for reference only.**

### 1.4.1 PhoenixPlus-08-M/PhoenixPlus-08



①. Loosen the screws of the upper



② Fix four screws in the HDD



③ Place the HDD in

cover and side panel.



④ Turn the device upside down and then turn the screws in firmly.



⑦ Put the cover in accordance with the clip and then place the upper cover back.

(Turn just three rounds).



⑤ Fix the HDD firmly.



⑧ Secure the screws in the rear panel and the side panel.

accordance with the four holes in the bottom.



⑥ Connect the HDD cable and power cable.

## 1.4.2 PhoenixPlus-16



① Loosen the screws of the upper cover and side panel.



④ Turn the device upside down and then turn the screws in firmly.



② Fix four screws in the HDD (Turn just three rounds).



⑤ Fix the HDD firmly.



③ Place the HDD in accordance with the four holes in the bottom.



⑥ Connect the HDD cable and power cable.





- ⑦ Put the cover in accordance with the clip and then place the upper cover back.
- ⑧ Secure the screws in the rear panel and the side panel.

## 1.5 Front Panel

### 1.5.1 PhoenixPlus-08-M

The front panel is shown as in Figure 1-1.

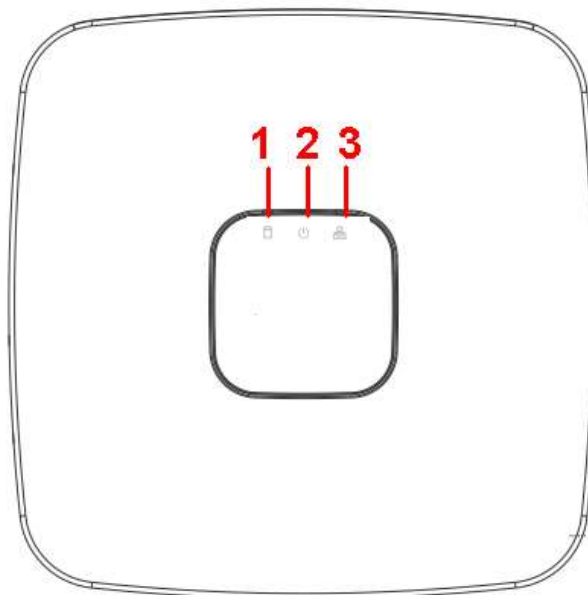


Figure 1-1

Please refer to the following sheet for detailed information.

SN	Name	Function
1	HDD status indicator light	The red light becomes on when HDD is abnormal.
2	Power indicator light	The red light becomes on when the power connection is OK.
3	Network status indicator light	The red light becomes on when the network connection is abnormal.

### 1.5.2 PhoenixPlus-08

The front panel is shown as in Figure 1-2.

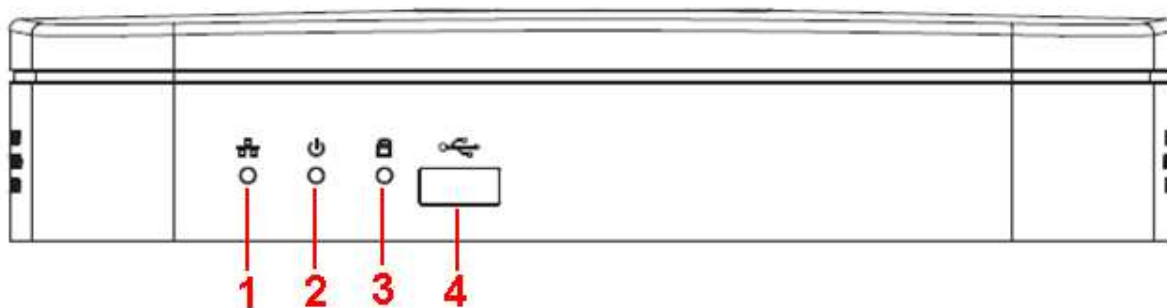


Figure 1-2

Please refer to the following sheet for detailed information.

SN	Name	Function
1	Network status indicator light	The red light becomes on when the network connection is abnormal.
2	Power indicator light	The red light becomes on when the power connection is OK.
3	HDD status indicator light	The red light becomes on when HDD is abnormal.
4	USB	USB port

### 1.5.3 PhoenixPlus-16

The front panel is shown as below. See Figure 1-3.

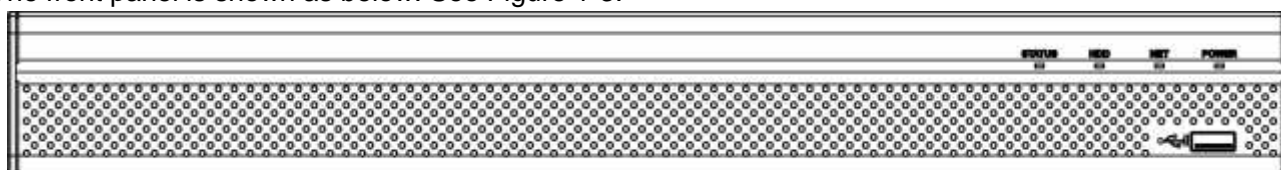



Figure 1-3

Please refer to the following sheet for front panel button information.

Icon	Name	Function
STATUS	Status indicator light	The blue light is on when the device is malfunction.
HDD	HDD status indicator light	The blue light is on when the HDD is malfunction.
NET	Network status indicator light	The blue light is on when the network connection is abnormal.
POWER	Power status indicator light	The blue light is on when the power connection is OK.
	USB2.0 port	Connect to peripheral USB 2.0 storage device, mouse, burner and etc.

## 1.6 Rear Panel

### 1.6.1 PhoenixPlus-08-M

The PhoenixPlus-08-M series NVR rear panel is shown as below. See Figure 1-4.

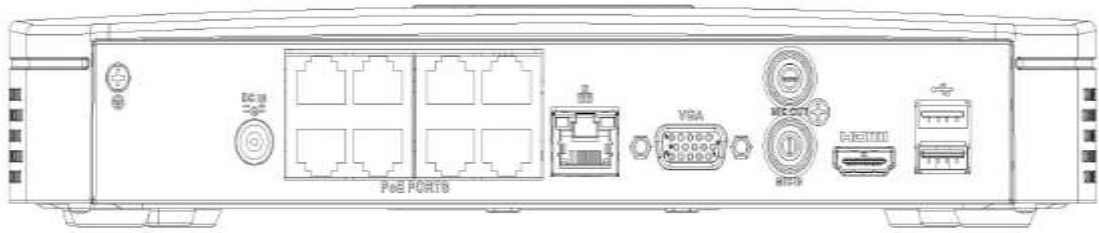





Figure 1-4

Please refer to the following sheet for detailed information.

Port Name	Connection	Function
DC 12V	Power input port	Power socket Input DC 48V/2A.
	Network port	10M/100Mbps self-adaptive Ethernet port. Connect to the network cable.
	USB port	USB port. Connect to mouse, USB storage device and etc.
HDMI	High Definition Media Interface	High definition audio and video signal output port. It transmits uncompressed high definition video and multiple-channel data to the HDMI port of the display device. HDMI version is 1.4.
VGA	VGA video output port	VGA video output port. Output analog video signal. It can connect to the monitor to view analog video.
MIC IN	Audio input port	Bidirectional talk input port. It is to receive the analog audio signal output from the devices such as microphone, pickup.
MIC OUT	Audio output port	Audio output port. It is to output the analog audio signal to the devices such as the sound box. <ul style="list-style-type: none"> <li>● Bidirectional talk output.</li> <li>● Audio output on 1-window video monitor.</li> <li>● Audio output on 1-window video playback.</li> </ul>
	GND	Ground end
PoE PORTS	PoE port	Built-in switch. Support PoE function. For PoE series product, you can use this port to provide power to the network camera.

### 1.6.2 PhoenixPlus-08

The PhoenixPlus-08 rear panel is shown as below. See Figure 1-5.

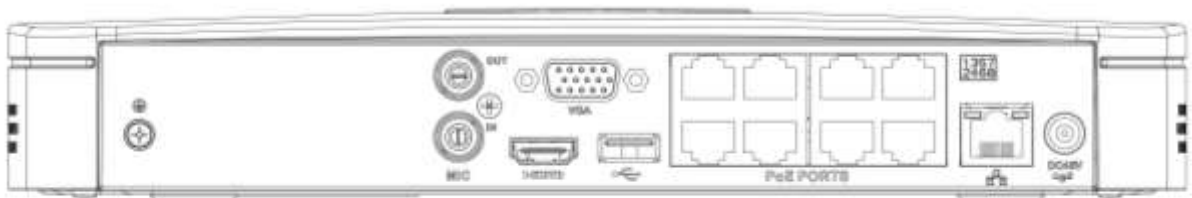
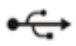


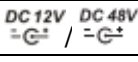


Figure 1-5

Please refer to the following sheet for detailed information.

Port Name	Connection	Function
	USB2.0 port	USB2.0 port. Connect to mouse, USB storage device, USB burner and etc.
	Network port	10M/100Mbps self-adaptive Ethernet port. Connect to the network cable.
HDMI	High Definition Media Interface	High definition audio and video signal output port. It transmits uncompressed high definition video and multiple-channel data to the HDMI port of the display device. HDMI version is 1.4.
VGA	VGA video output port	VGA video output port. Output analog video signal. It can connect to the monitor to view analog video.
	GND	Ground end
	Power input port	Power socket. Input DC 48V/2A.
MIC IN	Audio input port	Bidirectional talk input port. It is to receive the analog audio signal output from the devices such as microphone, pickup.
MIC OUT	Audio output port	Audio output port. It is to output the analog audio signal to the devices such as the sound box. <ul style="list-style-type: none"> <li>● Bidirectional talk output.</li> <li>● Audio output on 1-window video monitor.</li> <li>● Audio output on 1-window video playback.</li> </ul>
PoE PORT	PoE port	Built-in switch. Support PoE function. For PoE series product, you can use this port to provide power to the network camera.

### 1.6.3 PhoenixPlus-16

The series NVR rear panel is shown as below. See Figure 1-6.

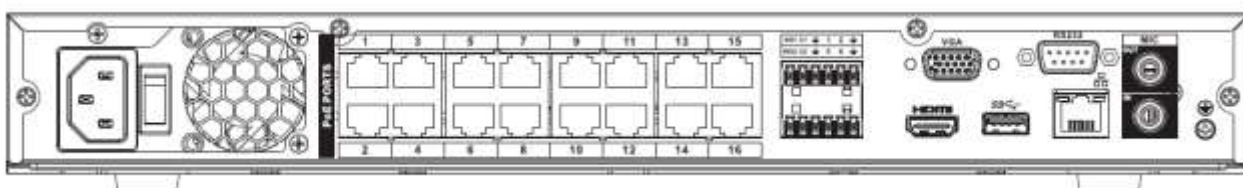
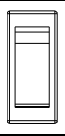



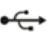


Figure 1-6

Please refer to the following sheet for detailed information.

Name	Function	
	Power switch	Power on/off button.
	Power input port	Input AC 100~240V.
MIC IN	Audio input port	Bidirectional talk input port. It is to receive the analog audio signal output from the devices such as microphone, pickup.

Name		Function
MIC OUT	Audio output port	Audio output port. It is to output the analog audio signal to the devices such as the sound box. <ul style="list-style-type: none"> <li>● Bidirectional talk output.</li> <li>● Audio output on 1-window video monitor.</li> <li>● Audio output on 1-window video playback.</li> </ul>
1~4	Alarm input port 1~4	<ul style="list-style-type: none"> <li>● There are two types; NO (normal open)/NC (normal close).</li> <li>● When your alarm input device is using external power, please make sure the device and the NVR have the same ground.</li> </ul>
	GND	Alarm input ground port.
N1, N2 C1, C2	Alarm output port 1~2	<ul style="list-style-type: none"> <li>● 2 groups of alarm output ports. (Group 1: port NO1~C1, Group 2: port NO2~C2). Output alarm signal to the alarm device. Please make sure there is power to the external alarm device.</li> <li>● NO: Normal open alarm output port.</li> <li>● C: Alarm output public end.</li> </ul>
A	RS-485 communication port	RS485_A port. It is the cable A. You can connect to the control devices such as speed dome PTZ.
B		RS485_B. It is the cable B. You can connect to the control devices such as speed dome PTZ.
	Network port	10M/100M/1000Mbps self-adaptive Ethernet port. Connect to the network cable.
	USB2.0 port	USB2.0 port. Connect to mouse, USB storage device, USB burner and etc.
RS-232	RS-232 debug COM.	It is for general COM debug to configure IP address or transfer transparent COM data.
HDMI	High Definition Media Interface	High definition audio and video signal output port. It transmits uncompressed high definition video and multiple-channel data to the HDMI port of the display device. HDMI version is 1.4.
VGA	VGA video output port	VGA video output port. Output analog video signal. It can connect to the monitor to view analog video.
PoE PORTS	/	Built-in Switch. Support PoE. The 16 PoE series product supports total 120W. One PoE port max supports 15W.

## 2 Connection Sample

Please note the following figure for reference only. For detailed operation instruction, please refer to the User's Manual included in the resources CD. See Figure 2-1.

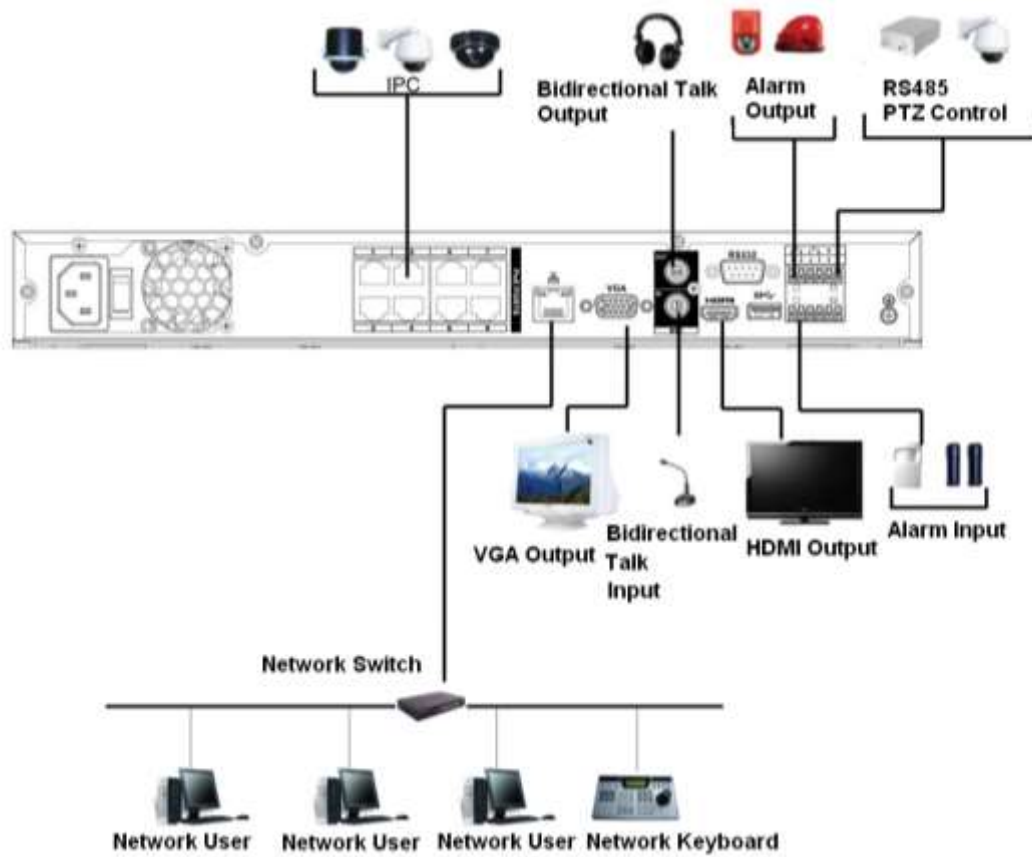


Figure 2-1

## 3 GUI Operation

### 3.1 Boot up



#### Caution

Before the boot up, please make sure:

- **For device security, please connect the NVR to the power adapter first and then connect the device to the power socket.**
- **The rated input voltage matches the device power on-off button. Please make sure the power wire connection is OK. Then click the power on-off button.**
- **Always use the stable current, if necessary UPS is a best alternative measure.**

Please follow the steps listed below to boot up the device.

- Connect the device to the monitor and then connect a mouse.
- Connect power cable.
- Click the power button at the front or rear panel and then boot up the device. After device booted up, the system is in multiple-channel display mode by default.

### 3.2 Login

After device booted up, the system goes to startup wizard interface. See Figure 3-1

Click Cancel or Next Step button, you can see system goes to login interface.

#### Tips

- Check the box Startup button here, system goes to startup wizard again when it boots up the next time.
- Cancel the Startup button, system goes to the login interface directly when it boots up the next time.



Figure 3-1

Click Cancel button or Next Step, you can see the login interface. Please input user name and password. See Figure 3-2.

System consists of four accounts:

- **Username:** admin. **Password:** admin.
- **Username:** 888888. **Password:** 888888.

- **Username:** 666666. **Password:** 666666.
- **Username:** default. **Password:** default.

You can use USB mouse to input. Click **123** to switch between numeral, English character (small/capitalized) and denotation.

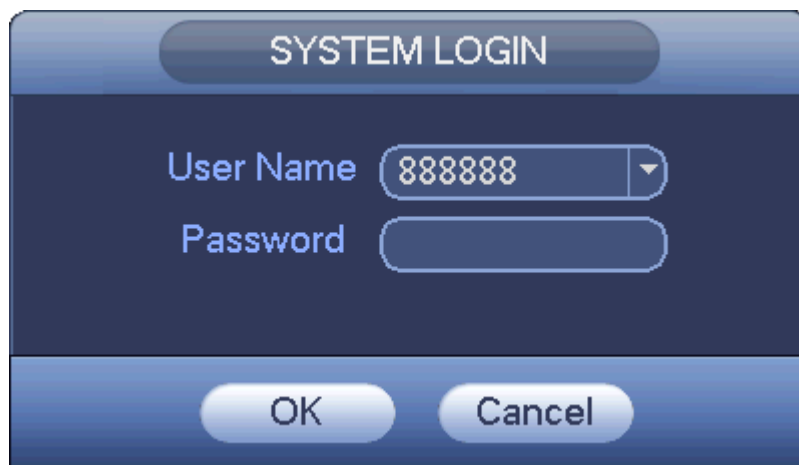


Figure 3-2

**Important:**

**For security reason, please modify password after you first login.**

**Within 30 minutes, three times login failure will result in system alarm and five times login failure will result in account lock!**

### 3.3 Smart Add

When the network camera(s) and the NVR are in the same router or switch, you can use smart add function to add all network cameras to the NVR at the same time.

There are two ways for you to go to the smart add interface.

- From the startup wizard, click Smart add button. See Figure 3-3.



Figure 3-3

- On the preview interface, right click mouse and then select Smart add. See Figure 3-4.



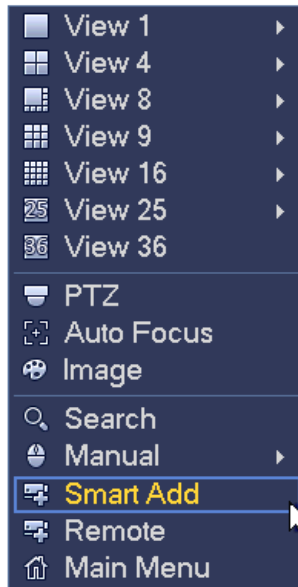


Figure 3-4

Please refer to the user’s manual for detailed information.

### 3.4 Remote Device

From Main menu->Setting->Camera->Remote device or right click mouse on the preview interface and then select remote device item, you can see the following interface. See Figure 3-5.



Figure 3-5

#### Tips

In the preview interface, for the channel of no IPC connection, you can click the icon “+” in the centre of the interface to quickly go to the Remote Device interface. See Figure 3-6.

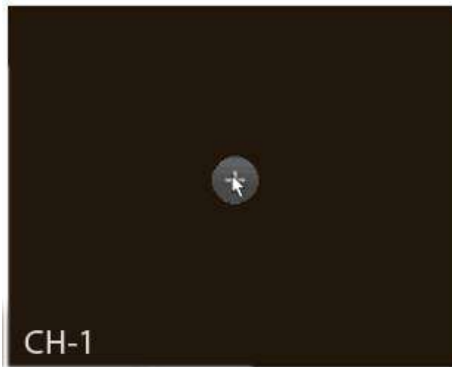


Figure 3-6

Click Device Search button, you can view the searched IP addresses at the top pane of the interface. Double click an IP address or check one IP address and then click Add button, you can add current device to the bottom pane of the interface. System supports batch add function.

Click Manual Add button, you can add a device directly. See Figure 3-7.

**Important**

Please note the manual add function is for Dahua, Panasonic, Sony, Dynacolor, Samsung, AXIS, Arecont, ONVIF and custom. When the type is the custom, you can just input URL address, user name and password connect to the network camera without considering network camera manufacture. Please contact your network camera manufacturer for the URL address.

Channel	4
Manufacturer	Private
IP Address	192.168.0.0
TCP Port	37777
Username	admin
Password	*****
Decoder Buffer	280 ms
Remote Channel No.	1

Figure 3-7

### 3.5 Schedule

**Note:**

You need to have proper rights to implement the following operations. Please make sure the HDDs have been properly installed.


After the system booted up, it is in default 24-hour regular mode. You can set record type and time in schedule interface.

In the main menu, from Main menu->Setting->Storage->Schedule, you can go to schedule menu. See Figure 3-11. There are total six periods.


Please note you need to go to Main menu->Setting->System->General->Holiday to set holiday date first, otherwise, there is no holiday setup item.

- Channel: Please select the channel number first. You can select “all” if you want to set for the whole channels.

✧ : Sync connection icon. Select icon  of several dates, all checked items can be edited or together. Now the icon is shown as .

✧ : Click it to delete a record type from one period.

- Record Type: Please check the box to select corresponding record type. There are four types: Regular/MD (motion detect)/Alarm/MD&Alarm.
- Week day: There are eight options: ranges from Saturday to Sunday and all.
- Holiday: It is to set holiday setup. Please note you need to go to the General interface (Main Menu->Setting->System->General) to add holiday first. Otherwise you can not see this item.
- Pre-record: System can pre-record the video before the event occurs into the file. The value ranges from 1 to 30 seconds depending on the bit stream.
- Redundancy: System supports redundancy backup function. It allows you backup recorded file in two disks. You can highlight Redundancy button to activate this function. Please note, before enable this function, please set at least one HDD as redundant. (Main menu->Setting->Storage->HDD Manager). **Please note this function is null if there is only one HDD.**
- ANR: It is to save video to the SD card of the network camera in case the network connection fails. The value ranges from 0s~43200s. After the network connection resumed, the system can get the video from the SD card and there is no risk of record loss.

● Period setup: Click button  after one date or a holiday, you can see an interface shown as in Figure 3-12. There are four record types: regular, motion detection (MD), Alarm, MD & alarm.

Please following the steps listed below to draw the period manually.

- a) Select a channel you want to set. See Figure 3-8.



Figure 3-8

- b) Set record type. See Figure 3-9.



Figure 3-9

c) Please draw manually to set record period. There are six periods in one day. See Figure 3-10.



Figure 3-10

Please check the box  to select the corresponding function. After completing all the setups please click save button, system goes back to the previous menu.

There are color bars for your reference. Green color stands for regular recording, yellow color stands for motion detection and red color stands for alarm recording. The white means the MD and alarm record is valid. Once you have set to record when the MD and alarm occurs, system will not record neither motion detect occurs nor the alarm occurs.



Figure 3-11

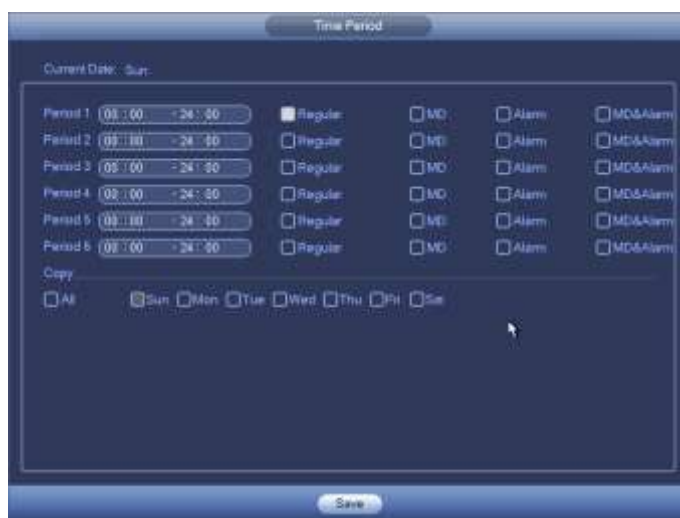


Figure 3-12

### 3.6 Realtime Playback

#### Preview control interface

Move your mouse to the top centre of the video of current channel, you can see system pop up the preview control interface. See Figure 3-13. If your mouse stays in this area for more than 6 seconds and has no operation, the control bar automatically hides.

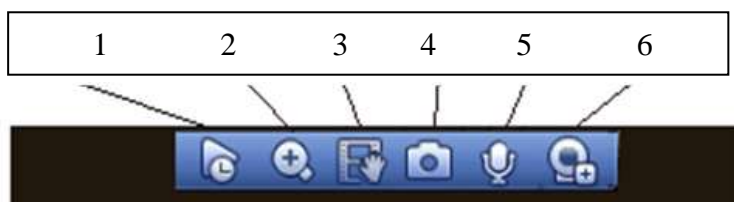


Figure 3-13

SN	Name	SN	Name	SN	Name
1	Realtime playback	2	Digital zoom	3	Manual record
4	Manual Snapshot	5	Bidirectional talk	6	Remote device

Realtime playback button is to playback the previous 5-60 minutes record of current channel.

Please go to the Main Menu->Setting->System->General to set real-time playback time.

System may pop up a dialogue box if there is no such record in current channel.

## 4 Web Operation

### Important

- Slightly difference may be found in the interface due to different series.
- The following operation is based on 32-channel series product.

This series NVR product support the Web access and management via PC.

Web includes several modules: Monitor channel preview, record search, alarm setup, system configuration, PTZ control, monitor window and etc.

### 4.1 Network Connection

Before web client operation, please check the following items:

- Network connection is right
- NVR and PC network setup is right. Please refer to network setup(main menu->setting->network)
- Use order ping `***.***.***.***`(\* NVR IP address) to check connection is OK or not. Usually the return TTL value should be less than 255.
- Open the IE and then input NVR IP address.
- System can automatically download latest web control and the new version can overwrite the previous one.
- If you want to un-install the web control, please run `uninstall webrec2.0.bat`. Or you can go to `C:\Program Files\webrec` to remove single folder. Please note, before you un-install, please close all web pages, otherwise the un-installation might result in error.
- Current series product supports various browsers such as Safari, firebox browser, Google browser. Device only support 1-channel monitor on the Apple PC.

#### About PoE address setup, operation and allocation.

##### 1) Insert PoE

After you insert PoE, device may try to set a corresponding IP address of the Switch network adapter. First, system tries to set via arp ping. It then uses DHCP if it finds the DHCP is enabled. After successfully set IP address, system may use Switch to send out broadcast, system thinks the connection is OK when there is any response. Now system is trying to login the newly found IPC. Now please check the interface, you can see the corresponding digital channel is active now. You can see a small PoE icon at the top left corner. You can see the PoE channel, PoE port information and etc from the connection list of the remote device interface (Chapter 5.6.11 in the User's Manual). For the IP search list, you need to click the IP search to display or refresh.

##### 2) Remove PoE

After you removed PoE, you can see the corresponding digital channel becomes idle (disable). On the remote device interface, it is removed from the connected list. For the IP search list, you need to click the IP search to refresh.

##### 3) After you insert PoE, system follows the principles listed below to map channel.

- a) If it is your first time to insert PoE, system can map it to the first idle channel. After map, the channel can memorize the MAC address of the IPC. It is a `<Channel>----<IPC mac>` map. If current channel does not connect to other device, system can memorize current MAC

address, otherwise it can refresh to the newly added device and memorize the <PoE port>---<Channel>.

- b) If it is your second time to insert the PoE, system can check the saved MAC address according to <Channel>---<IPC mac> map to make sure current IPC has connected or not. If system finds the previous information and the channel is idle, system can map it to the previously used channel. Otherwise system goes to the next step.
- c) Thirdly, according to the <PoE port>---<Channel> map, system can know the previous mapping channel of current PoE port. System can select current channel if it is free. Otherwise, it goes to the next step:
- d) Fourthly, system goes to find the first idle channel it can get.

Generally speaking, once you insert PoE, system follow the steps listed above to find the channel available.

4) When you insert PoE, all channels are in use now.

System can pop up a dialogue box for you to select a channel to overwrite. The title of the pop-up interface is the name of the current operation PoE port. In this interface, All PoE channel become grey and can not select.

## 4.2 Login

Open IE and input NVR address in the address column. For example, if your NVR IP is 10.10.3.16, then please input http:// 10.10.3.16 in IE address column.

System pops up warning information to ask you whether install Web plug-in or not. Please click yes button. If you can't download the ActiveX file, please modify your IE security setup.

After installation, the interface is shown as below. See Figure 4-1.

Please input your user name and password.

Default factory name is **admin** and password is **admin**.

**Note: For security reasons, please modify your password after you first login.**



Figure 4-1

## 4.3 Main Window

### 4.3.1 LAN Login

For the LAN mode, after you logged in, you can see the main window. See Figure 4-2. Click the channel name on the left side; you can view the real-time video.

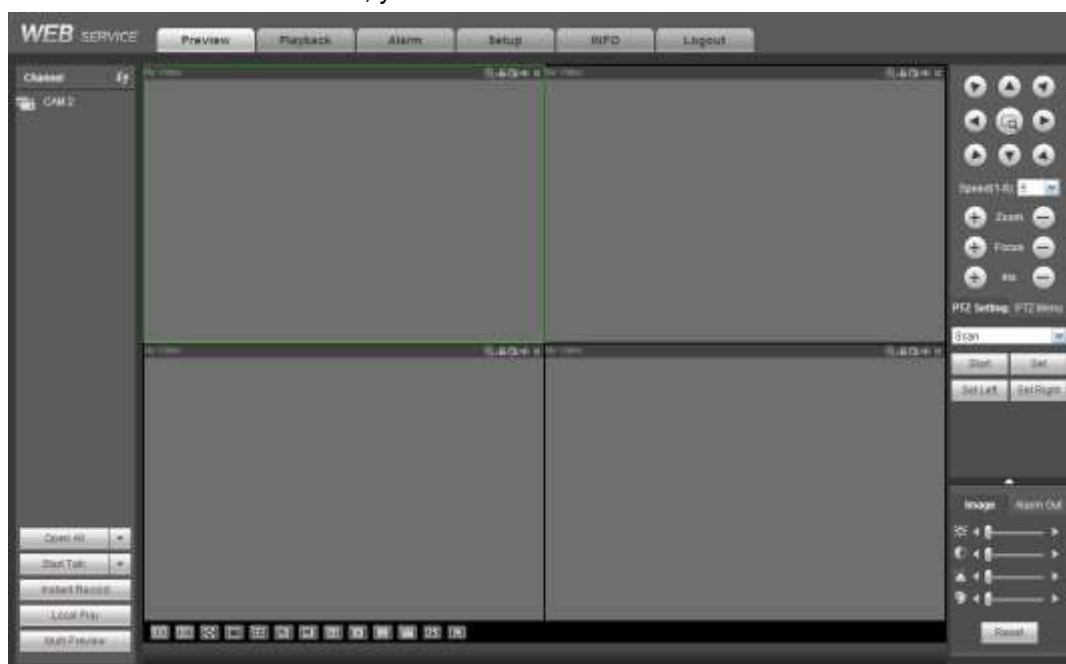


Figure 4-2

### 4.3.2 WAN Login

In WAN mode, after you logged in, the interface is shown as below. See Figure 4-3.

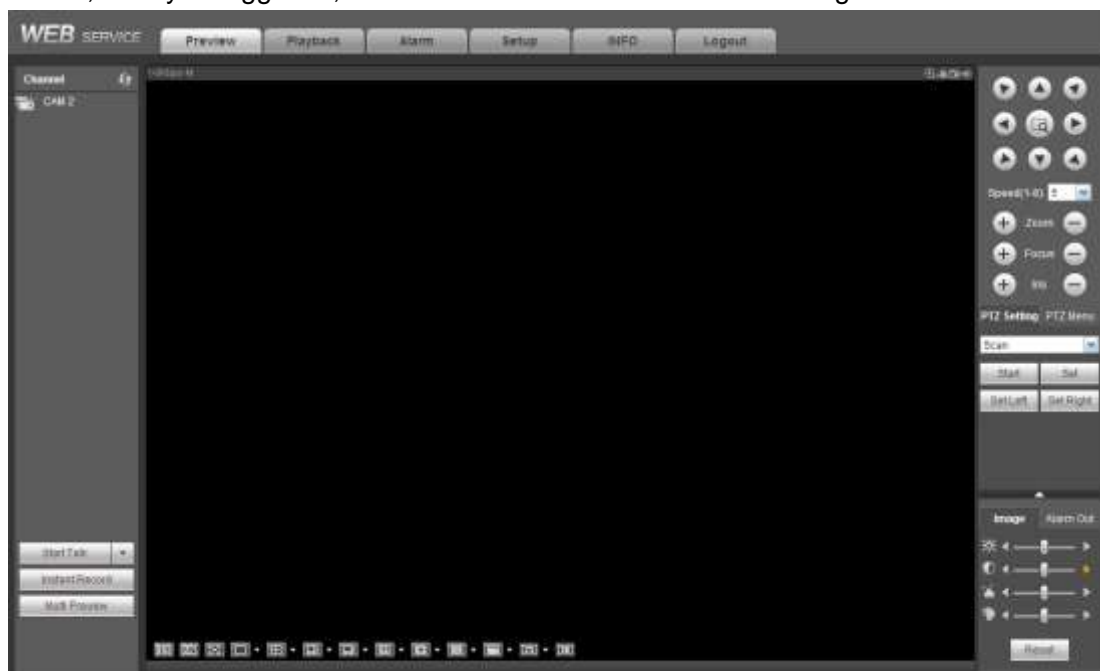


Figure 4-3

For detailed operation information, please refer to the *User's Manual* included in the resources CD.

**Note**



- For detailed operation introduction, please refer to our resource CD included in your package for electronic version of the *User's Manual*.
- Slight difference may be found in user interface.
- All the designs and software here are subject to change without prior written notice.
- All trademarks and registered trademarks are the properties of their respective owners.
- If there is any uncertainty or controversy, please refer to the final explanation of us.
- Please visit our website or contact your local service engineer for more information.